

# KGS-MSTB 2,5/10

Order No.: 1783740



<http://eshop.phoenixcontact.de/phoenix/treeViewClick.do?UID=1783740>

Cable housing, for cable diameters of 6 - 13.5 mm, marker strips and transparent label carrier are included, color: green, no. of positions: 10

Commercial data	
EAN	4017918041953
Pack	10 Pcs.
Customs tariff	85472000
Weight/Piece	0.01787 KG
Catalog page information	Page 249 (CC-2007)

### Product notes

WEEE/RoHS-compliant since: 01/01/2003



<http://www.download.phoenixcontact.com>  
Please note that the data given here has been taken from the online catalog. For comprehensive information and data, please refer to the user documentation. The General Terms and Conditions of Use apply to Internet downloads.

## Accessories

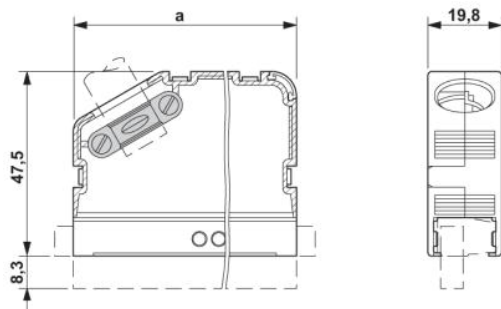
Item	Designation	Description
<b>Cable/conductor</b>		
1804658	KD-KGS-MSTB	Molded cable strain relief, suitable for KGS-... cable housings, prevents the cable from being bent

### Marking

1784914	KGS-MSTB 2,5/ DST	Transparent label carrier, can be marked with marker strips SBS 2.5/7.5
1007604	SBS 2,5/7,5	Marker strips, unprinted, for individual labeling, perforated, white plastic, 10-section, lettering field size: 15 x 7.5 mm

### Drawings

Dimensioned drawing



KGS-MSTB 2,5/10 Order No.: 1783740

<http://eshop.phoenixcontact.de/phoenix/treeViewClick.do?UID=1783740>

---

**Address**

PHOENIX CONTACT GmbH & Co. KG  
Flachsmarktstr. 8  
32825 Blomberg, Germany  
Phone +49 5235 3 00  
Fax +49 5235 3 41200  
<http://www.phoenixcontact.de>



© 2008 Phoenix Contact  
Technical modifications reserved;